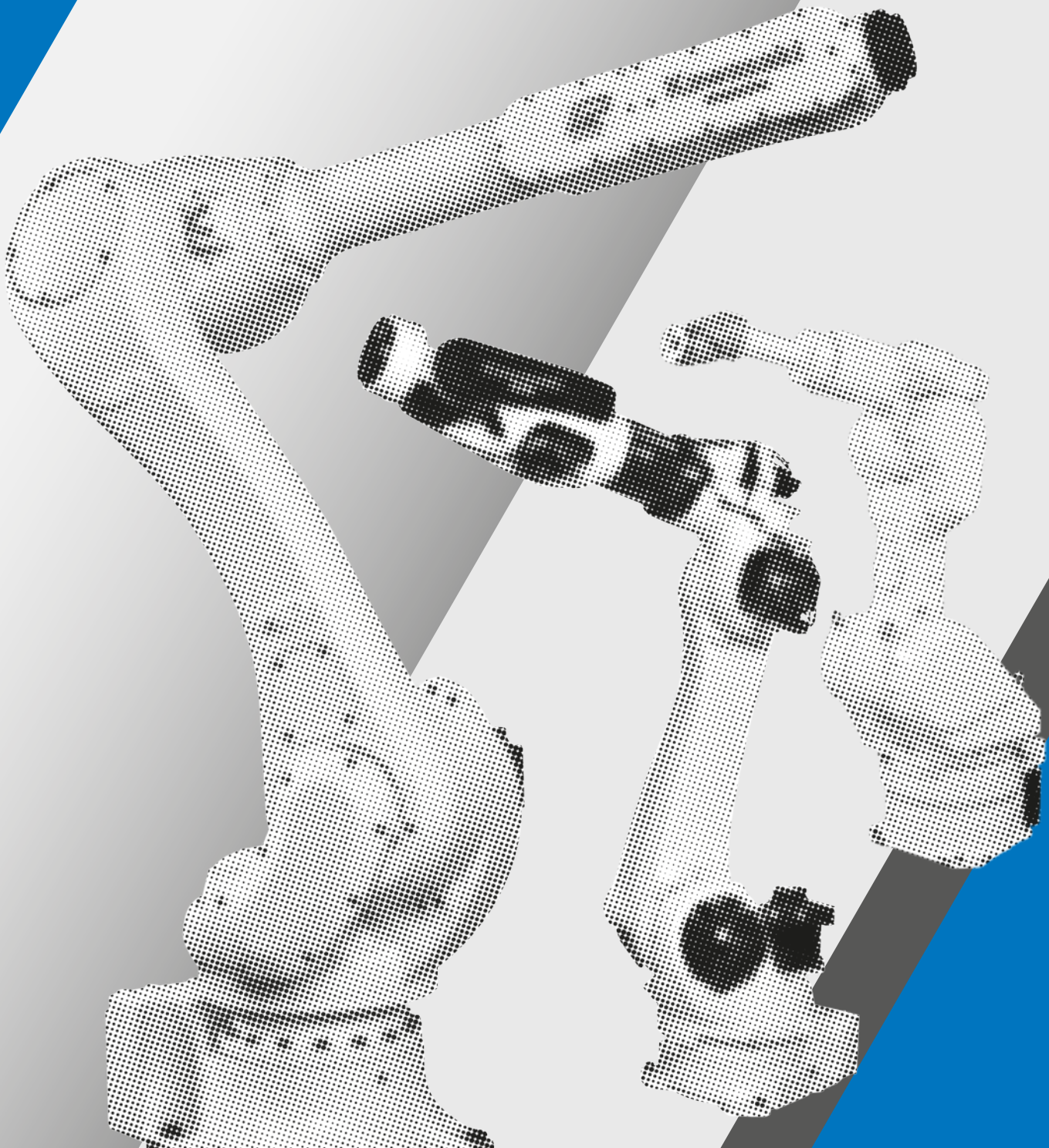


ts tiesse
robot S.P.A.

Kawasaki
Robotics

LINEA ROBOT KAWASAKI
KAWASAKI ROBOT LINE UP
KAWASAKI ROBOTERÜBERSICHT

LINE UP





RS03N



RS05N



RS05L



RS06L



RS10N



RS10L



RS20N



RS15X



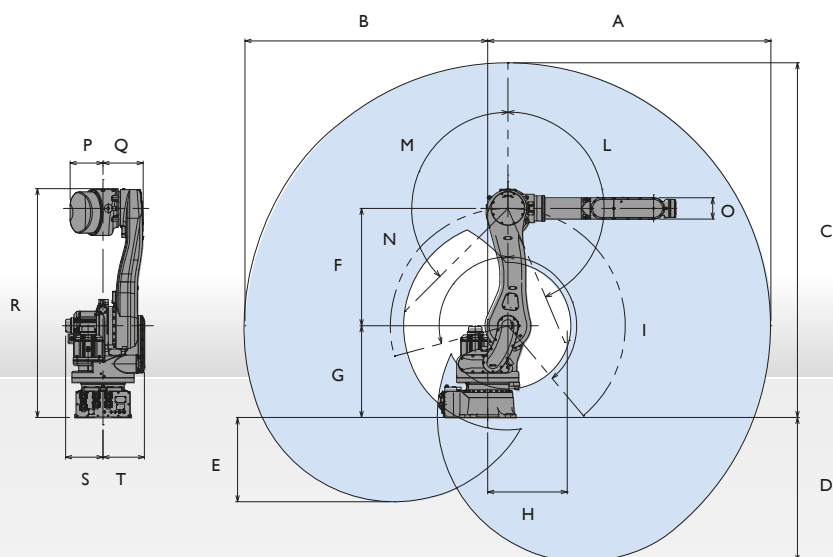
RS30N
RS50N
RS80N

R SERIES

SPECIFICHE TECNICHE - SPECIFICATION - TECHNISCHE DATEN

TIPO - TYPE - TYP	RS03N	RS05N	RS05L	RS06L	RS10N	RS10L
Gradi di libertà Degrees of freedom Arbeitsbereich	6	6	6	6	6	6
JT1	±160° (360°/s)	±180° (360°/s)	±180° (300°/s)	±180° (250°/s)	±180° (250°/s)	±180° (190°/s)
JT2	+150-60° (250°/s)	+135-80° (360°/s)	+135-80° (300°/s)	+145-105° (250°/s)	+145-105° (250°/s)	+155-105° (205°/s)
JT3	+120-150° (225°/s)	+118-172° (410°/s)	+118-172° (300°/s)	+150-163° (215°/s)	+150-163° (215°/s)	+150-163° (210°/s)
JT4	±360° (540°/s)	±360° (460°/s)	±360° (460°/s)	±270° (365°/s)	±270° (365°/s)	±270° (400°/s)
JT5	±135° (225°/s)	±145° (460°/s)	±145° (460°/s)	±145° (380°/s)	±145° (380°/s)	±145° (360°/s)
JT6	±360° (540°/s)	±360° (740°/s)	±360° (740°/s)	±360° (700°/s)	±360° (700°/s)	±360° (610°/s)
Portata Payload Max. Traglast	3 kg	5 kg	5 kg	6 kg	10 kg	10 kg
MOMENTI - TORQUE - MAX. MOMENT:						
JT4	5.8 Nm	12.3 Nm	12.3 Nm	13 Nm	22 Nm	22 Nm
JT5	5.8 Nm	12.3 Nm	12.3 Nm	13 Nm	22 Nm	22 Nm
JT6	2.9 Nm	7 Nm	7 Nm	7.5 Nm	10 Nm	10 Nm
Ripetibilità Wiederholgenauigkeit Repeatability	± 0.05 mm	± 0.02 mm	± 0.03 mm	± 0.05 mm	± 0.04 mm	± 0.06 mm
Motori Motors Antriebe	Brushless - Bürstenlose AC Motore					
Encoder 17 bit	Assoluti - Absolute - Absolute Winkelkodierer					
Grado di protezione Degree of Protection Schutzklasse	IP54	Polso / Wrist: IP67 Base axis: IP65				
Peso Mass Gewicht	20 kg	34 kg	37 kg	150 kg	150 kg	230 kg
Controllore Controller	E70	E71	E71	E40/FE71	E40/E71	E40

AREA DI LAVORO - WORK RANGE - ARBEITSBEREICH (MM)



	A	B	C	D	E	F	G	H	I	L	M	N	O	P	Q	R	S	T
RS03N	620	347	750	217	-	250	250	129	150°	150°	120°	60°	84	90	97	573	106	108
RS05N	705	491	895	223	-	280	295	228	135°	172°	118°	80°	90	118	120	725	125	126
RS05L	903	687	1.093	391	57	380	295	242	135°	172°	118°	80°	90	118	120	825	125	126
RS06L	1.650	1.450	1.980	1.002.4	638.2	650	430	437.1	145°	163°	150°	105°	100	148	207	1.195	194	210
RS10N	1.450	1.250	1.780	802.4	438.2	650	430	305.6	145°	163°	150°	105°	100	148	207	1.195	194	210
RS10L	1.925	1.625	2.240	1.237.9	739.3	770	465	500.5	155°	163°	150°	105°	120	170	260	1.360	220	260
RS20N	1.725	1.425	2.040	1.037.9	539.3	770	465	383.9	155°	163°	150°	105°	120	170	260	1.360	220	260
RS15X	3.150	2.850	3.680	2.051	1.467.6	1.150	680	1.092.7	140°	155°	135°	105°	120	244	298	1.976.5	277	307
RS30N	2.100	1.800	2.630	1.066.5	625.2	870	680	619.2	140°	155°	135°	105°	158	244	298	1.696.5	277	307
RS50N	2.100	1.800	2.630	1.066.5	625.2	870	680	619.2	140°	155°	135°	105°	158	244	298	1.696.5	277	307
RS80N	2.100	1.800	2.630	1.066.5	625.2	870	680	619.2	140°	155°	135°	105°	158	244	298	1.696.5	277	307



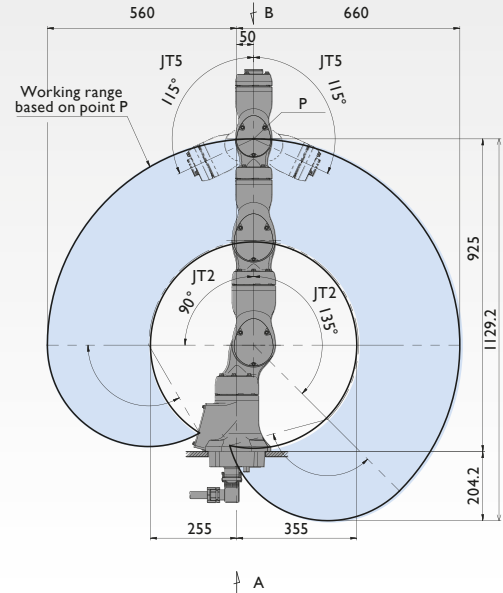
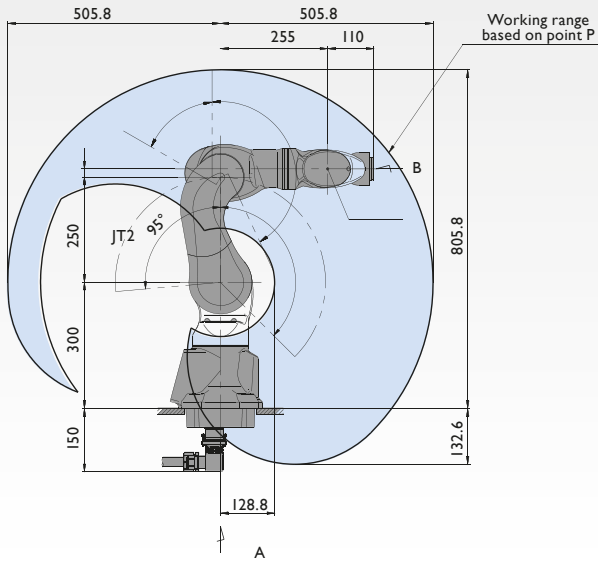
SPECIFICHE TECNICHE - SPECIFICATION - TECHNISCHE DATEN

TIPO - TYPE - TYP	RS20N	RS15X	RS30N	RS50N	RS80N
Gradi di libertà Degrees of freedom Arbeitsbereich	6	6	6	6	6
JT1	±180° (190°/s)	±180° (180°/s)	±180° (180°/s)	±180° (180°/s)	±180° (180°/s)
JT2	+155-105° (205°/s)	+140-105° (180°/s)	+140-105° (180°/s)	+140-105° (180°/s)	+140-105° (180°/s)
JT3	+150-163° (210°/s)	+135-155° (200°/s)	+135-155° (185°/s)	+135-155° (185°/s)	+135-155° (160°/s)
JT4	±270° (400°/s)	±360° (410°/s)	±360° (260°/s)	±360° (260°/s)	±360° (185°/s)
JT5	±145° (360°/s)	±145° (360°/s)	±145° (260°/s)	±145° (260°/s)	±145° (165°/s)
JT6	±360° (610°/s)	±360° (610°/s)	±360° (360°/s)	±360° (360°/s)	±360° (280°/s)
Portata Payload Max. Traglast	20 kg	15 kg	30 kg	50 kg	80 kg
MOMENTI - TORQUE - MAX. MOMENT:					
JT4	45 Nm	34 Nm	210 Nm	210 Nm	336 Nm
JT5	45 Nm	34 Nm	210 Nm	210 Nm	336 Nm
JT6	29 Nm	22 Nm	130 Nm	130 Nm	194 Nm
Repetibilità Wiederholgenauigkeit Repeatability	± 0.05 mm	± 0.15 mm	± 0.07 mm	± 0.07 mm	± 0.07 mm
Motori Motors Antriebe	Brushless - Bürstenlose AC Motore				
Encoder 17 bit	Assoluti - Absolute - Absolute Winkelkodierer				
Grado di protezione Degree of Protection Schutzklasse	Polso / Wrist: IP67 Base axis: IP65				
Peso Mass Gewicht	230 kg	545 kg	555 kg	555 kg	555 kg
Controllore Controller	E40/E91	E42	E42	E42	E42

MC004



MS005



MC

MS

SPECIFICHE TECNICHE - SPECIFICATION - TECHNISCHE DATEN

TIPO - TYPE - TYP

MC004

MS005

Gradi di libertà
Degrees of freedom
Arbeitsbereich

7

JT1	±180° (180°/s)	±180° (130°/s)
JT2	+135°-55° (180°/s)	+135°-90° (130°/s)
JT3	+60°-155° (225°/s)	±120° (215°/s)
JT4	±270° (700°/s)	±180° (300°/s)
JT5	±120° (500°/s)	±155° (300°/s)
JT6	±270° (350°/s)	±180° (480°/s)
JT7		±180° (215°/s)

Portata
Payload
Max. Traglast

4 kg

5 kg

MOMENTI - TORQUE - MAX. MOMENT:

JT4	8.5 Nm	17 Nm
JT5	8.5 Nm	17 Nm
JT6	4.0 Nm	7 Nm

Repetibilità
Wiederholgenauigkeit
Repeatability

±0.05 mm

±0.10 mm

Motori
Motors
Antriebe

Brushless - Bürstenlose AC Servomotor

Brushless - Bürstenlose AC Servomotor

Encoder 17 bit

Assoluti - Absolute - Absolute Winkelkodierer

Assoluti - Absolute - Absolute Winkelkodierer

Grado di protezione
Degree of Protection
Schutzklasse

Wrist: IP67 Arm: IP65 / ISO CLASS 5

IP67 / ISO CLASS 5

Peso
Mass
Gewicht

25 kg

50 kg

Controllore
Controller

E70

E70



RA06L



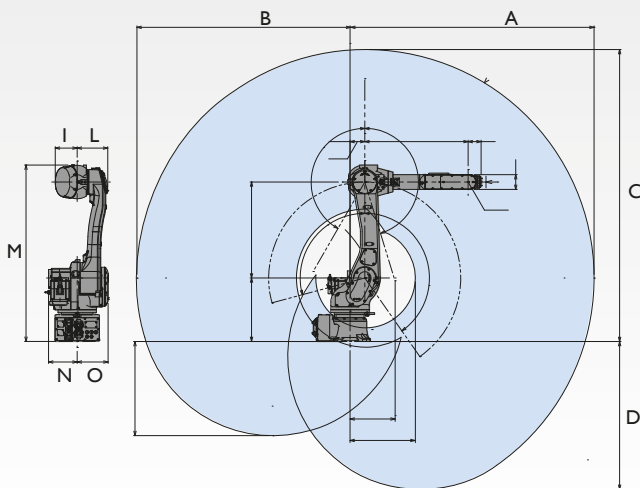
RA10N



RA10L



BA06N



	RA06L	RA10N	RA10L	BA06N
A	1650	1450	1925	1445.6
B	1450	1250	1625	1115.8
C	1980	1780	2240	1710.8
D	1001.4	802.4	1237.9	777
E	650	650	770	550
F	430	430	465	430
G	473.1	305.6	500.5	464
H	100	100	120	115
I	148	148	170	81
L	207	207	260	352
M	1195	1195	1360	1271
N	194	194	220	207
O	210	210	260	303

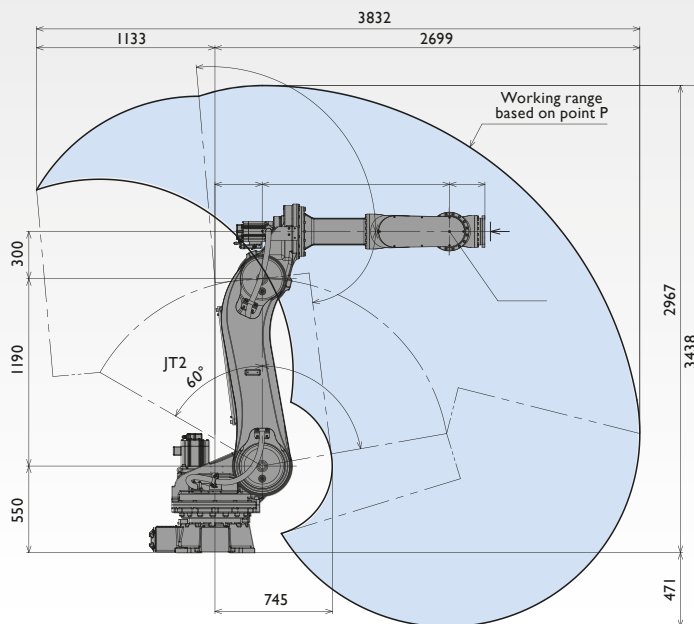


RA-BA SERIES

SPECIFICHE TECNICHE - SPECIFICATION - TECHNISCHE DATEN

TIPO - TYPE - TYP	RA06L	RA10N	RA10L	BA06N
Gradi di libertà Degrees of freedom Arbeitsbereich	6	6	6	6
JT1	±180° (250°/s)	±180° (250°/s)	±180° (190°/s)	±165° (240°/s)
JT2	±145 - 105° (105°/s)	±145 - 105° (250°/s)	±155 - 105° (205°/s)	±150 - 90° (240°/s)
JT3	±150 - 163° (215°/s)	±150 - 163° (215°/s)	±150 - 163° (210°/s)	±90 - 175° (220°/s)
JT4	±270° (365°/s)	±270° (365°/s)	±270° (400°/s)	±180° (430°/s)
JT5	±145° (380°/s)	±145° (380°/s)	±145° (360°/s)	±135° (430°/s)
JT6	±360° (700°/s)	±360° (700°/s)	±360° (610°/s)	±360° (650°/s)
Portata Payload Max. Traglast	6 kg	10 kg	10 kg	6 kg
MOMENTI - TORQUE - MAX. MOMENT:				
JT4	13 Nm	22 Nm	22 Nm	12 Nm
JT5	13 Nm	22 Nm	22 Nm	12 Nm
JT6	7.5 Nm	10 Nm	10 Nm	3.75 Nm
Repetibilità Wiederholgenauigkeit Repeatability	± 0.05 mm	± 0.04 mm	± 0.06 mm	± 0.05 mm
Motori Motors Antriebe	Brushless - Bürstenlose AC Motore			
Encoder 16 bit	Assoluti - Absolute - Absolute Winkelkodierer			
Grado di protezione Degree of Protection Schutzklasse	Polso / Wrist: IP67 Base axis: IP65		Polso / Wrist: IP40 Base axis: IP40	
Peso Mass Gewicht	150 kg	150 kg	230 kg	150 kg
Controllore Controller	E40	E40	E40	E01

CX
110L
165L
210L



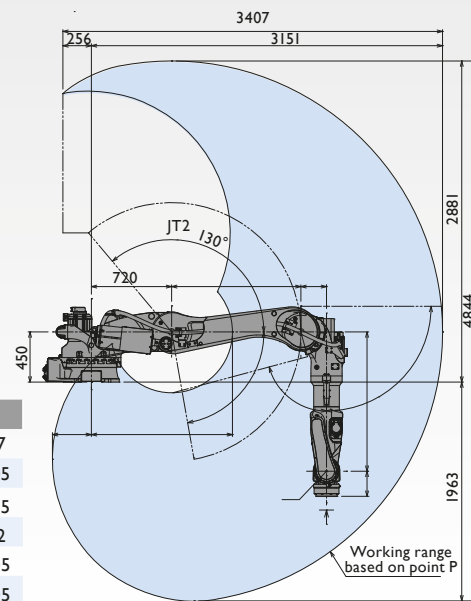
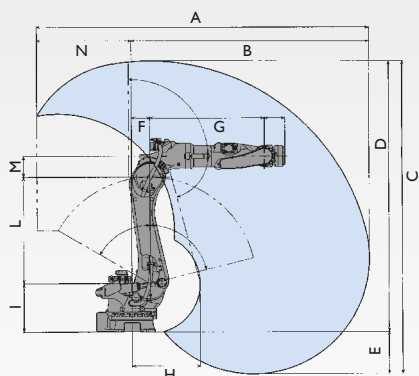
CX

SPECIFICHE TECNICHE - SPECIFICATION - TECHNISCHE DATEN

TIPO - TYPE - TYP	110L	165L	210L
Gradi di libertà Degrees of freedom Arbeitsbereich	6	6	6
JT1	±160° (140°/s)	±160° (130°/s)	±160° (125°/s)
JT2	+80-60° (135°/s)	+80-60° (120°/s)	+80-60° (115°/s)
JT3	+95-83° (135°/s)	+95-83° (120°/s)	+95-83° (115°/s)
JT4	±210° (250°/s)	±210° (180°/s)	±210° (180°/s)
JT5	±120° (250°/s)	±120° (180°/s)	±120° (180°/s)
JT6	±360° (320°/s)	±360° (260°/s)	±360° (220°/s)
Portata Payload Max. Traglast	110 kg	165 kg	210 kg
MOMENTI - TORQUE - MAX. MOMENT:			
JT4	830 Nm	930 Nm	1334 Nm
JT5	830 Nm	930 Nm	1334 Nm
JT6	441 Nm	490 Nm	588 Nm
Repetibilità Wiederholgenauigkeit Repeatability		±0.3 mm	±0.3mm
Motori Motors Antriebe	Brushless - Bürstenlose AC Servomotor		
Encoder 16 bit	Assoluti - Absolute - Absolute Winkellkodierer		
Grado di protezione Degree of Protection Schutzklasse			
Peso Mass Gewicht	860 kg	860 kg	860 kg
Controllore Controller	E02		

B SERIES

- BX100N**
- BX100L**
- BX130X**
- BX165N**
- BX165L**
- BX200L**
- BX300L**
- BT200L**



	A	B	C	D	E	F	G	H	I	L	M	N
BX100N	3007	2200	3560	2465	1095	200	1100	675	465	880	210	807
BX100L	3631	2597	3420	2960	460	200	1250	746	530	1160	230	1305
BX130X	4026	2991	4211	3356	855	200	1650	949	530	1160	230	1035
BX165N	3117	2325	3209	2681	528	200	1250	808	530	880	230	792
BX165L	3631	2597	3420	2960	460	200	1250	746	530	1160	230	1305
BX200L	3631	2597	3420	2960	460	200	1250	746	530	1160	230	1305
BX300L	3370	2812	3536	3393	144	210	1350	185	670	1100	270	558

BX

BT

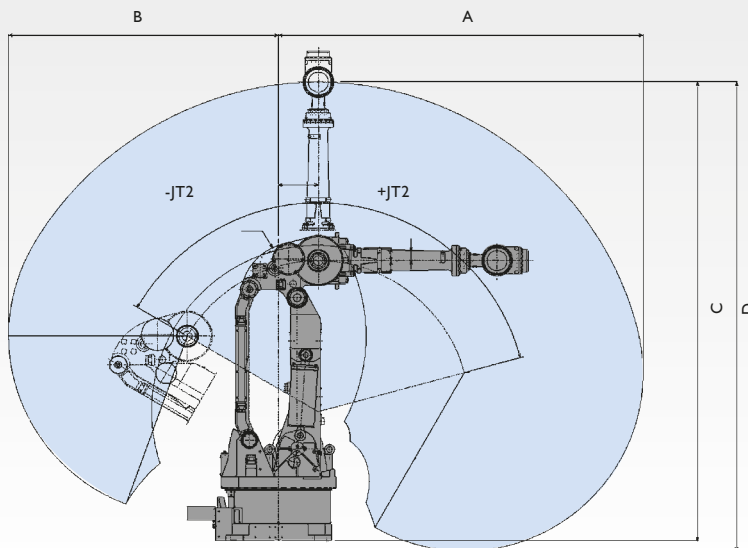


SPECIFICHE TECNICHE - SPECIFICATION - TECHNISCHE DATEN

TIPO - TYPE - TYP	BX100N	BX100L	BX130X	BX165N	BX165L	BX200L	BX300L	BT200L
Gradi di libertà Degrees of freedom Arbeitsbereich	6	6	6	6	6	6	6	6
JT1	±160° (135°/s)	+160° (105°/s)	+160° (105°/s)	+160° (105°/s)	+160° (120°/s)	+160° (105°/s)	±180° (125°/s)	+160° (105°/s)
JT2	+120°-65° (110°/s)	+76°-60° (130°/s)	+76°-60° (90°/s)	+76°-60° (130°/s)	+76°-60° (110°/s)	+76°-60° (90°/s)	+76°-60° (102°/s)	+80°-130° (85°/s)
JT3	+90°-77° (140°/s)	+90°-75° (130°/s)	+90°-75° (130°/s)	+90°-75° (130°/s)	+90°-75° (130°/s)	+90°-75° (100°/s)	+90°-120° (85°/s)	+90°-75° (100°/s)
JT4	±210° (200°/s)	±210° (200°/s)	±210° (200°/s)	±210° (120°/s)	±210° (170°/s)	±210° (120°/s)	±210° (105°/s)	±210° (120°/s)
JT5	±125° (200°/s)	±125° (160°/s)	±125° (160°/s)	±125° (160°/s)	±125° (170°/s)	±125° (120°/s)	±125° (110°/s)	±125° (120°/s)
JT6	±210° (300°/s)	±210° (300°/s)	±210° (300°/s)	±210° (300°/s)	±210° (280°/s)	±210° (200°/s)	±210° (180°/s)	±210° (200°/s)
Portata Payload Max. Traglast	100 kg	100 kg	130 kg	165 kg	165 kg	200 kg	300 kg	200 kg
MOMENTI - TORQUE - MAX. MOMENT:								
JT4	588.4 Nm	830 Nm	830 Nm	930 Nm	952 Nm	1334 Nm	2300 Nm	1334 Nm
JT5	588.4 Nm	830 Nm	830 Nm	930 Nm	952 Nm	1334 Nm	2300 Nm	1334 Nm
JT6	294.2 Nm	441 Nm	441 Nm	490 Nm	491 Nm	588 Nm	1000 Nm	588 Nm
Repetibilità Wiederholgenauigkeit Repeatability	± 0.2 mm	± 0.2 mm	± 0.2 mm	± 0.2 mm	± 0.2 mm	± 0.2 mm	± 0.2 mm	±0.2 mm
Motori Motors Antriebe	Brushless - Bürstenlose AC Servomotor							
Encoder 17 bit	Assoluti - Absolute - Absolute Winkelkodierer							
Grado di protezione Degree of Protection Schutzklasse	Polso / Wrist IP67							
Peso Mass Gewicht	740 kg	930 kg	970 kg	903 kg	930 kg	930 kg	1460 kg	1100 kg
Controllore Controller	E42							E42

Z SERIES

- ZX130U
- ZX130L
- ZX165U
- ZX165L
- ZX200U
- ZX300S



	A	B	C	D
ZX130U	2.651	1.965	3.340	3.415
ZX130L	2.981	2.268	3.640	4.015
ZX165U	2.651	1.965	3.340	3.415
ZX165L	2.810	2.268	3.450	3.733
ZX200U	2.651	1.965	3.340	3.415
ZX300S	2.501	1.815	3.115	3.190

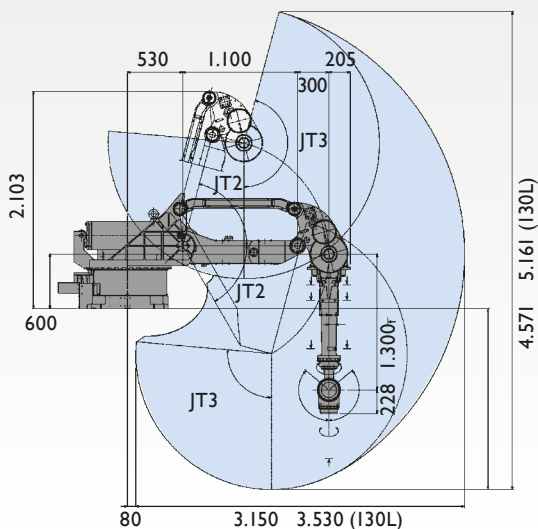
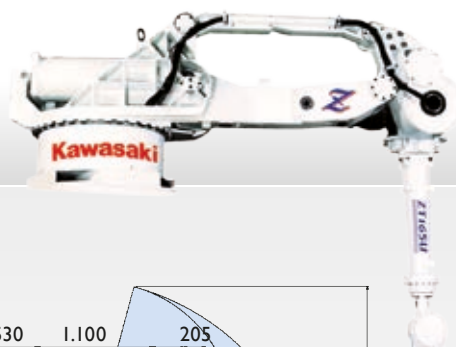
ZX

SPECIFICHE TECNICHE - SPECIFICATION - TECHNISCHE DATEN

TIPO - TYPE - TYP	ZX130U	ZX130L	ZX165U	ZX165L	ZX200U	ZX300S
Gradi di libertà Degrees of freedom Arbeitsbereich	6	6	6	6	6	6
JT1	±180° (110°/s)	±180° (110°/s)	±180° (110°/s)	±180° (100°/s)	±180° (95°/s)	±180° (100°/s)
JT2	+75°-60° (110°/s)	+75°-60° (110°/s)	+75°-60° (110°/s)	+75°-60° (105°/s)	+75°-60° (95°/s)	+75°-60° (85°/s)
JT3	+250°-120° (110°/s)	+250°-120° (110°/s)	+250°-120° (115°/s)	+250°-120° (95°/s)	+250°-120° (95°/s)	+250°-120° (85°/s)
JT4	±360° (140°/s)	±360° (140°/s)	±360° (135°/s)	±360° (135°/s)	±360° (120°/s)	±360° (90°/s)
JT5	±130° (135°/s)	±130° (135°/s)	±130° (135°/s)	±130° (135°/s)	±130° (115°/s)	±120° (90°/s)
JT6	±360° (230°/s)	±360° (230°/s)	±360° (210°/s)	±360° (210°/s)	±360° (180°/s)	±360° (150°/s)
Portata Payload Max. Traglast	130 kg	130 kg	165 kg	165 kg	200 kg	300 kg
MOMENTI - TORQUE - MAX. MOMENT:						
JT4	735 Nm	735 Nm	911.4 Nm	911.4 Nm	980 Nm	1715 Nm
JT5	735 Nm	735 Nm	911.4 Nm	911.4 Nm	980 Nm	1715 Nm
JT6	421 Nm	421 Nm	450.8 Nm	450.8 Nm	490 Nm	862 Nm
Repetibilità Wiederholgenauigkeit Repeatability	± 0.3 mm	± 0.3 mm	± 0.3 mm	± 0.3 mm	± 0.3 mm	± 0.3 mm
Motori Motors Antriebe	Brushless - Bürstenlose AC Motore					
Encoder 16 bit	Assoluti - Absolute - Absolute Winkelkodierer					
Grado di protezione Degree of Protection Schutzklasse	Polso / Wrist IP67					
Peso Mass Gewicht	1350 kg	1400 kg	1350 kg	1355 kg	1350 kg	1400 kg
Controllore Controller	E42					

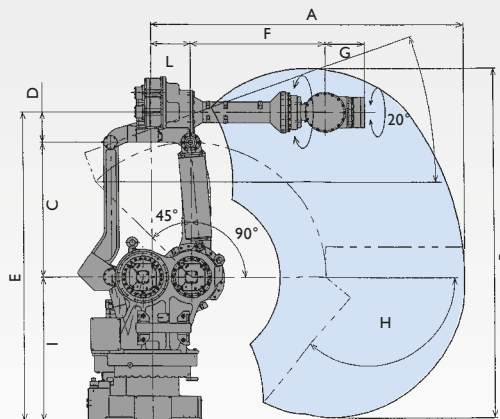
Z SERIES

- ZT130U
- ZT130L
- ZT165U
- ZT200U



MX

- MX350L
- MX420L
- MX500N
- MX700N



	A	B	C	D	E	F	G	H	I	L
MX350L	3.040	3.502	1.100	250	2.510	1.600	310	115°	1.160	325
MX420L	2.790	3.169	1.100	250	2.510	1.350	310	125°	1.160	325
MX500N	2.540	2.839	1.100	250	2.510	1.100	310	90°	1.160	325
MX700N	2.540	2.839	1.100	250	2.510	1.100	310	90°	1.160	325

ZT

SPECIFICHE TECNICHE - SPECIFICATION - TECHNISCHE DATEN

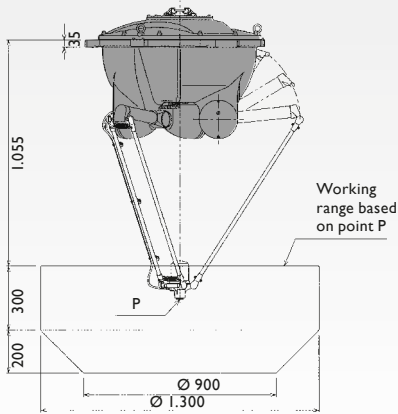
TIPO - TYPE - TYP	ZT130U	ZT130L	ZT165U	ZT200U
Gradi di libertà Degrees of freedom Arbeitsbereich	6	6	6	6
JT1	±180° (105°/s)	+180° (105°/s)	±180° (105°/s)	±180° (90°/s)
JT2	+60°-75° (105°/s)	+60°-75° (105°/s)	+60°-75° (105°/s)	+60°-75° (90°/s)
JT3	+165°-95° (105°/s)	+165°-95° (105°/s)	+165°-95° (105°/s)	+165°-95° (90°/s)
JT4	±360° (140°/s)	±360° (140°/s)	±360° (135°/s)	±360° (120°/s)
JT5	±130° (135°/s)	±130° (135°/s)	±130° (135°/s)	±130° (115°/s)
JT6	±360° (230°/s)	±360° (230°/s)	±360° (210°/s)	±360° (180°/s)
Portata Payload Max. Traglast	130 kg	130 kg	165 kg	200 kg
MOMENTI - TORQUE - MAX. MOMENT:				
JT4	735 Nm	735 Nm	911.4 Nm	980 Nm
JT5	735 Nm	735 Nm	911.4 Nm	980 Nm
JT6	421 Nm	421 Nm	450.8 Nm	490 Nm
Repetibilità Wiederholgenauigkeit Repeatability	± 0.3 mm	± 0.3 mm	± 0.3 mm	± 0.3 mm
Motori Motors Antriebe	Brushless - Bürstenlose AC Servomotor			
Encoder 17 bit	Assoluti - Absolute - Absolute Winkelkodierer			
Grado di protezione Degree of Protection Schutzklasse	Polso / Wrist IP67			
Peso Mass Gewicht	1550 kg	1565 kg	1550 kg	1550 kg
Controllore Controller	E42			

MX

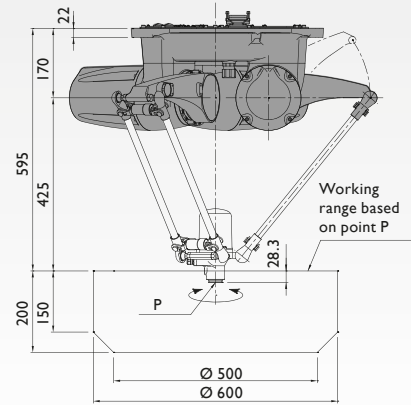
	MX350L	MX420L	MX500N	MX700N
Gradi di libertà Degrees of freedom Arbeitsbereich	6	6	6	6
JT1	±180° (80°/s)	±180° (80°/s)	±180° (80°/s)	±180° (65°/s)
JT2	+90°-45° (70°/s)	+90°-45° (70°/s)	+90°-45° (70°/s)	+90°-45° (50°/s)
JT3	+20°-115° (70°/s)	+20°-125° (70°/s)	+20°-130° (70°/s)	+20°-130° (45°/s)
JT4	±360° (80°/s)	±360° (80°/s)	±360° (80°/s)	±360° (50°/s)
JT5	±110° (80°/s)	±110° (80°/s)	±110° (80°/s)	±110° (50°/s)
JT6	±360° (120°/s)	±360° (120°/s)	±360° (120°/s)	±360° (95°/s)
Portata Payload Max. Traglast	350 kg	420 kg	500 kg	700 kg
MOMENTI - TORQUE - MAX. MOMENT:				
JT4	2740 Nm	3290 Nm	3920 Nm	5488 Nm
JT5	2740 Nm	3290 Nm	3920 Nm	5488 Nm
JT6	1960 Nm	1960 Nm	1960 Nm	2744 Nm
Repetibilità Wiederholgenauigkeit Repeatability	± 0.5 mm	± 0.5 mm	± 0.5 mm	± 0.5 mm
Motori Motors Antriebe	Brushless - Bürstenlose AC Servomotor			
Encoder 17 bit	Assoluti - Absolute - Absolute Winkelkodierer			
Grado di protezione Degree of Protection Schutzklasse	Polso / Wrist IP67			
Peso Mass Gewicht	2800 kg	2770 kg	2750 kg	2860
Controllore Controller	E44			



YF003N



YS002N



YF

YS

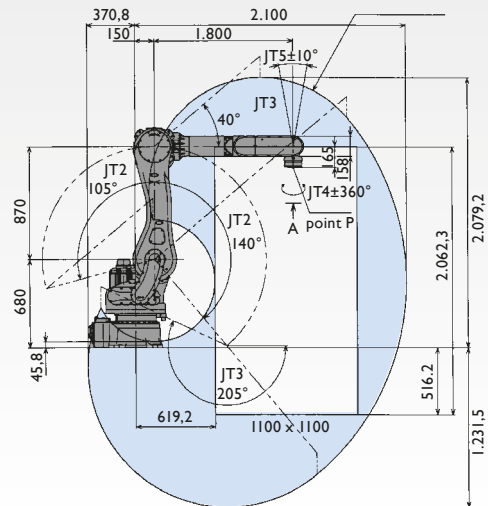
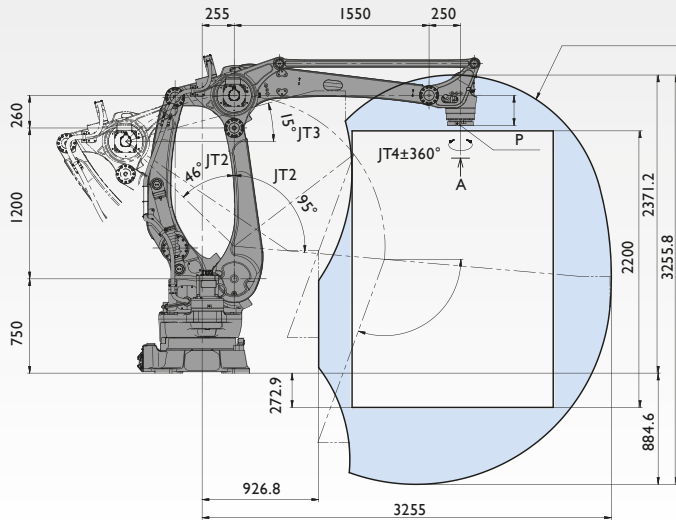
SPECIFICHE TECNICHE - SPECIFICATION - TECHNISCHE DATEN

TIPO - TYPE - TYP	YF003N	YS002N
Gradi di libertà Degrees of freedom Arbeitsbereich	4 (Option 5)	4
JT1	+95°-52° (1090.9/s)	+77° -34,5° (490 °/s)
JT2	+95°-52° (1090.9/s)	+77° -34,5° (490 °/s)
JT3	+95°-52° (1090.9/s)	+77° -34,5° (490 °/s)
JT4	+360°-360° (1714.3/s)	±360° (1714,3 °/s)
Portata Payload Max. Traglast	3 kg	2 kg
MOMENTI - TORQUE - MAX. MOMENT:		
JT4		
JT5		
JT6		
Repetibilità Wiederholgenauigkeit Repeatability	± 0.10 mm	± 0,04 mm
Motori Motors Antriebe	Brushless - Bürstenlose AC Servomotor	Brushless - Bürstenlose AC Servomotor
Encoder 17 bit	Assoluti - Absolute - Absolute Winkelkodierer	Assoluti - Absolute - Absolute Winkelkodierer
Grado di protezione Degree of Protection Schutzklasse	Polso / Wrist IP67	IP 65
Peso Mass Gewicht	145 kg	60 kg
Controllore Controller	E91	E91

CP
CPI30L
CPI80L
CP250L
CP300L
CP500L



RD
RD80



CP

RD

SPECIFICHE TECNICHE - SPECIFICATION - TECHNISCHE DATEN



11

TIPO - TYPE - TYP	I30L	I80L	250L	300L	500L	RD80
Gradi di libertà Degrees of freedom Arbeitsbereich	4					5
JT1	±160° (140°/s)	±160° (130°/s)	±160° (115°/s)	±160° (100°/s)	±160° (85°/s)	±180° (180°/s)
JT2	+95-46° (125°/s)	+95-46° (120°/s)	+95-46° (100°/s)	+95-46° (90°/s)	+95-46° (80°/s)	+140-105° (180°/s)
JT3	+15-110° (130°/s)	+15-110° (125°/s)	+15-110° (100°/s)	+15-110° (90°/s)	+15-110° (80°/s)	+140-205° (175°/s)
JT4	±360° (400°/s)	±360° (330°/s)	±250° (220°/s)	±360° (220°/s)	±360° (180°/s)	±360° (360°/s)
JT5						±10°
Portata Payload Max. Traglast	130 kg	180 kg	250 kg	300 kg	500 kg	80 kg
MOMENTI - TORQUE - MAX. MOMENT:						
JT4 (Inerzia - Inertia - Leerlauf)	50 kg m ²	85 kg m ²	100 kg m ²	140 kg m ²	250 kg m ²	13,7 kg m ²
Repetibilità Wiederholgenauigkeit Repeatability	±0.5 mm					± 0.07 mm
Motori Motors Antriebe	Brushless - Bürstenlose AC Servomotor					
Encoder 16 bit	Assoluti - Absolute - Absolute Winkelkodierer					
Grado di protezione Degree of Protection Schutzklasse						
Peso Mass Gewicht	1600 kg		1650 kg			540 kg
Controllore Controller	E03					E42



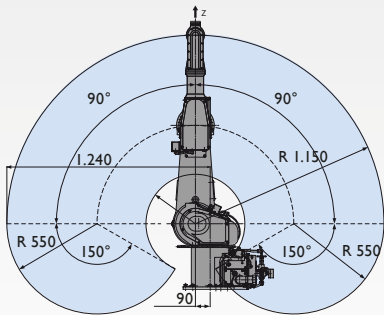
KF12IE



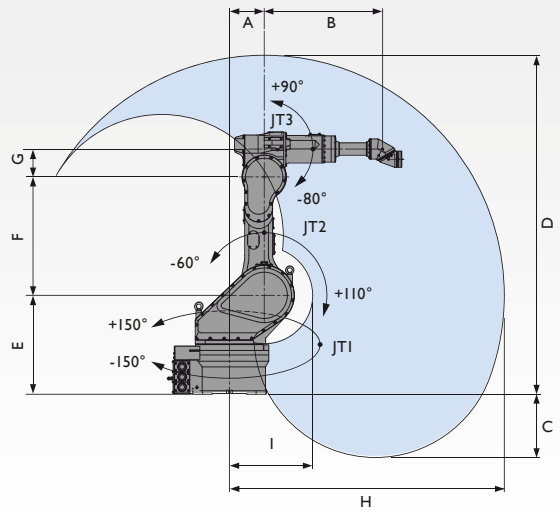
KF193E
KF194E



KF263E
KF264E



KF12IE



KF262E
KF193E
KF194E
KF263E
KF264E
KF192E

	A	B	C	D	E	F	G	H	I
KF193E	250	850	454	2.433	710	850	200	1.973	598
KF194E	250	850	454	2.438	710	850	200	1.978	598
KF263E	250	1.300	982	3.125	710	1.100	200	2.665	697
KF264E	250	1.300	985	3.128	710	1.100	200	2.668	715

K SERIES

SPECIFICHE TECNICHE - SPECIFICATION - TECHNISCHE DATEN

TIPO - TYPE - TYP	KF12IE	KF193E/194E	KF263E	KF264E
Gradi di libertà Degrees of freedom Arbeitsbereich	6	6	6	6
Polso Wrist Type	RBR	3RØ40 (Hose Built-in)	3RØ40 (Hose Built-in)	3RØ70 (Hose Built-in)
JT1	±160°	±150°	±150°	±150°
JT2	±90°	+110°-60°	+110°-60°	+110°-60°
JT3	±150°	+90°-80°	+90°-80°	+90°-80°
JT4	±270°	±720°	±720°	±720°
JT5	±145°	±720°	±720°	±720°
JT6	±360°	±410°	±410°	±410°
JT7				
Portata Payload - Max. Traglast	5 kg	Wrist: 12 kg Arm: 20 kg	Wrist: 12 kg Arm: 20 kg	Wrist: 12 kg Arm: 20 kg
MOMENTI - TORQUE - MAX. MOMENT:				
JT4	7.8 Nm	33 Nm/35.3 Nm	33.2 Nm	35.3 Nm
JT5	7.8 Nm	26.7 Nm/27.7 Nm	26.7 Nm	27.7 Nm
JT6	2.9 Nm	7.9 Nm	7.9 Nm	7.9 Nm
Repetibilità Wiederholgenauigkeit Repeatability	±0.2 mm	±0.5 mm	±0.5 mm	±0.5 mm
Motori Motors Antriebe		Brushless - Bürstenlose AC Servomotor		
Encoder		Assoluti - Absolute - Absolute Winkelkodierer		
Grado di protezione Degree of Protection Schutzklasse		Combination of pressurized type and intrinsically safety type (Class I, Zone I Exib II BT4)		
Peso Mass Gewicht	140 kg	720 kg/750 Kg	740 kg	770 kg
Controllori Controller	E47	E45	E45	E45



KG264E



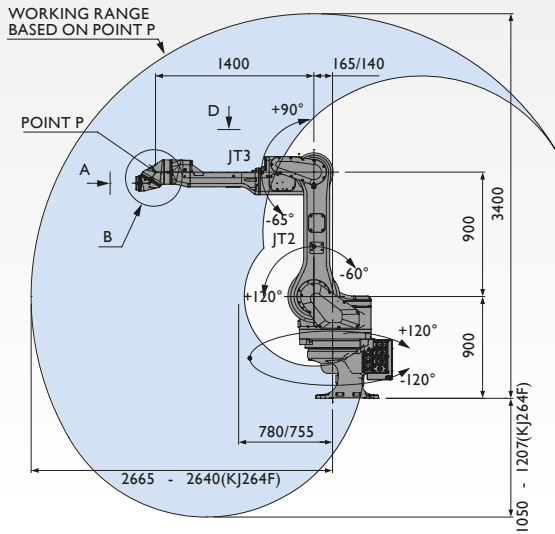
KJ264(F)



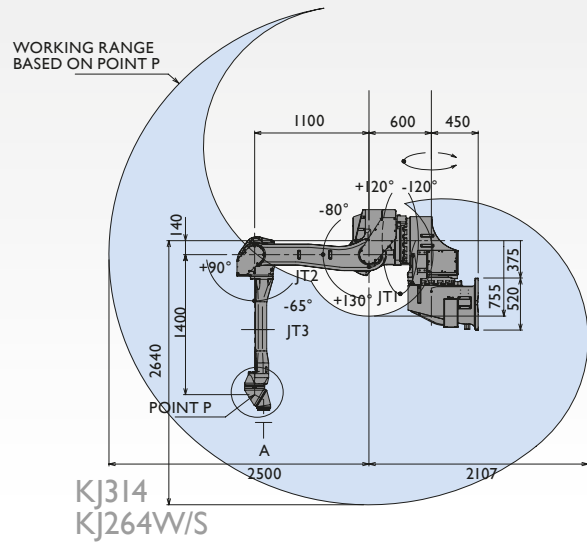
KJ264W/S



KJ314



KG264E
KJ264F

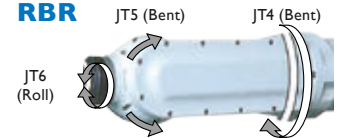


KJ314
KJ264W/S

SPECIFICHE TECNICHE - SPECIFICATION - TECHNISCHE DATEN

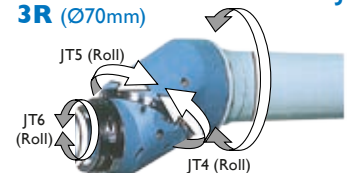
KG264E	KJ264(F)	KJ264W/S	KJ314
6	6	6	7
3RØ70 (Hose Built-in)	3RØ70 (Hose Built-in)	3RØ70 (Hose Built-in)	3RØ70 (Hose Built-in)
±120°	±120°	±120°	±120°
+120°-60°	+130°-80°	+130°-80°	+130°-80°
+90°-65°	+90°-65°	+90°-65°	+90°-65°
±720°	±720°	±720°	±720°
±720°	±720°	±720°	±720°
±410°	±410°	±410°	±410°
Wrist: 20 kg Arm: 30 kg	Wrist: 15 kg Arm: 25 kg	Wrist: 15 kg Arm: 25 kg	Wrist: 15 kg Arm: 25 kg
79.9 Nm	56.2 Nm	56.2 Nm	56.2 Nm
61.3 Nm	43.4 Nm	43.4 Nm	43.4 Nm
15.6 Nm	22.0 Nm	22.0 Nm	22.0 Nm
±0.5 mm	±0.5 mm	±0.5 mm	±0.5 mm
Brushless - Bürstenlose AC Servomotor			
Assoluti - Absolute - Absolute Winkelkodierer			
Combination of pressurized type and intrinsically safety type (Class I, Zone I Exib II BT4)			
795 kg	540 kg	530 kg	720 kg
E45	E45	E45	E45

KFI21E
RBR



KFI93E/263E
3R (Ø40mm)

KFI94E/264E/KG264E/KJ314
3R (Ø70mm)



NOTA: I DATI RIPORTATI POTREBBERO SUBIRE VARIAZIONI
SPECIFICATIONS CAN BE CHANGE WITHOUT NOTICE

CONTROLLER

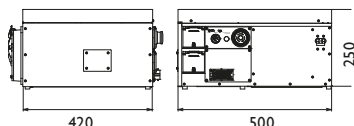
SPECIFICHE TECNICHE SPECIFICATION TECHNISCHE DATEN



E70/E71



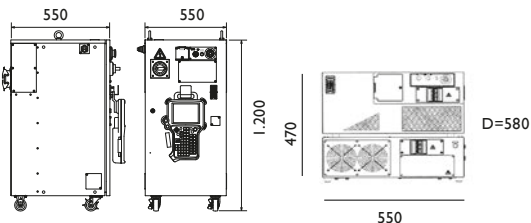
E91



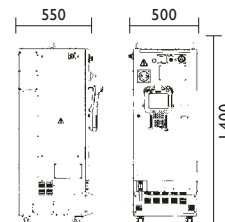
E40/E42/E44



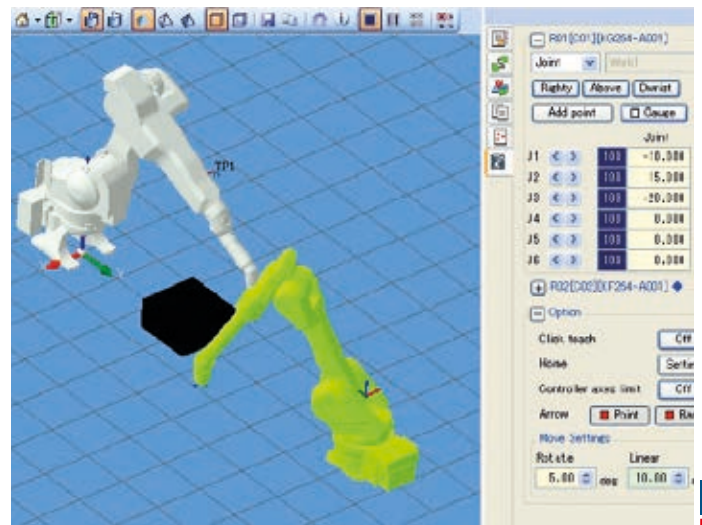
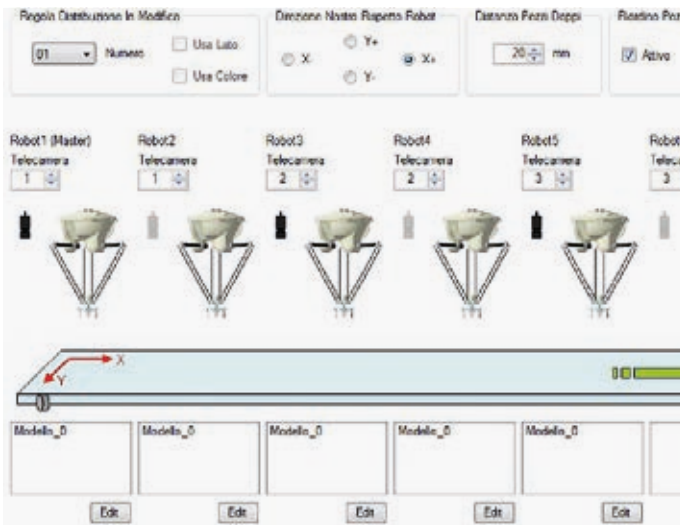
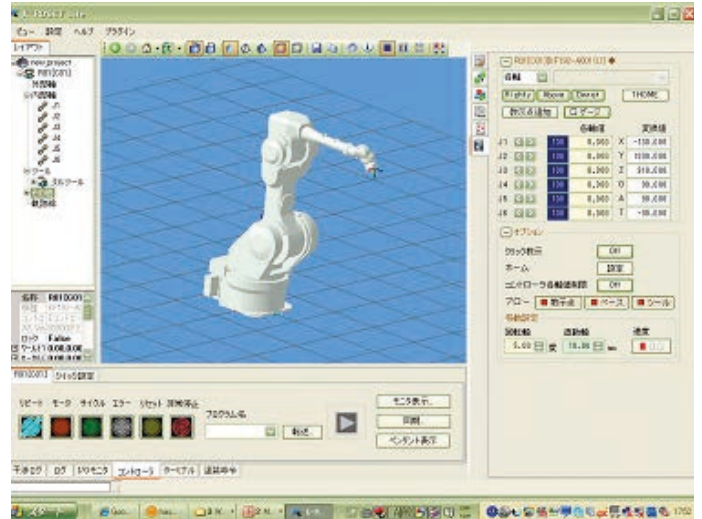
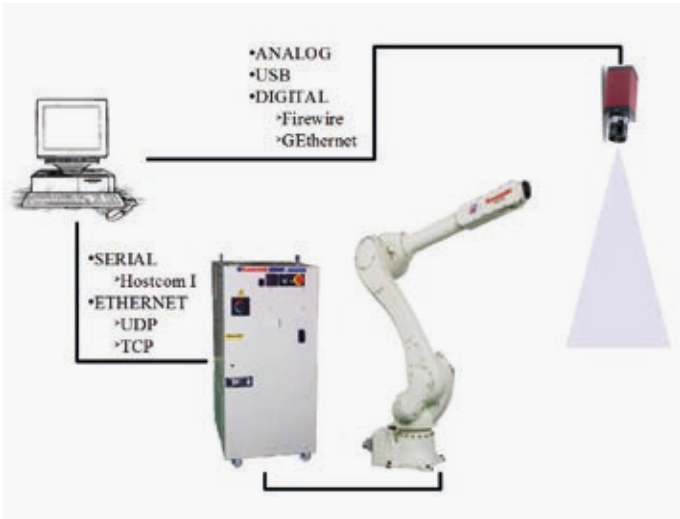
E01/02/03



E45/47



	E40/42/44/70/71/91		E01/02/03		E45/47	
N° Assi in simultanea Number of Controlled axes Anzahl der angesteuerten Achsen	E70/E71/E91: 6 (optional 8) E40/E42/E44: 6 (optionale 17)		E01/02: 6 (max 17) E03: 5 (max 17)		6 (Optional 9)	
Programmi paralleli Parallel programs Parallel programme	8		8		8	
Azionamento e controllo assi Servo Control and Drive System Servo- und Antriebssystem	Full digital servo system		Full digital servo system		Full digital servo system	
Tipo di movimento Movement Bewegungsart	Joint, Base, Tool		Joint, Base, Tool		Joint, Base, Tool, Fixed Tool	
Interpolazione Interpolation Interpolation	Joint/Linear, Circular Interpolated motion		Joint/Linear, Circular Interpolated motion		Joint, Linear, Circular Interpolated motion	
Metodo di programmazione Teach Method Programmiermethode	Block, Teaching or AS-Language		Block, Teaching or AS-Language		Easy Operation Teaching or AS Language Programming	
Memoria RAM Memory Capacity Speicherkapazität	8 MB		8 MB		8 MB	
Memoria esterna ausiliaria External Storage Datensicherung	2xUSB		2xUSB		2xUSB	
Segnali generici General purpose signal Standardmäßige Anschlüsse	Segnali d'ingresso Input Signals Standardmäßige Eingangssignale	32	Segnali d'ingresso Input Signals Standardmäßige Eingangssignale	32	Segnali d'ingresso Input Signals Standardmäßige Eingangssignale	32
	Segnali d'uscita Output Signalstandardmäßige Ausgangssignale	32	Segnali d'uscita Output Signalstandardmäßige Ausgangssignale	32	Segnali d'uscita Output Signalstandardmäßige Ausgangssignale	32
Pannello operativo MFP - Multifunktions Panel Handprogrammiergerät	Pulsanti virtuali programmabili / 5,7" color display TFT Programmable virtual switches and buttons / 5,7" color display TFT Freiprogrammierbare Bedienelemente / 5,7" Farbdisplay TFT		Pulsanti virtuali programmabili / 5,7" color display TFT Programmable virtual switches and buttons / 5,7" color display TFT Freiprogrammierbare Bedienelemente / 5,7" Farbdisplay TFT		Intrinsically safe construction, Color Display (6,5" LCD) with touch panel Emergency Stop, Teach Lock and Deadman Switches	
Lunghezza dei cavi Cable length Standard MFP Kabellänge	10 m (optional: 15/20/30/40m)		10 m (optional: 15/20/30/40m)		Power/Signal cable in non hazardous area 5 m Power/Signal cable in hazardous area 5- m Teach Pendant cable 10 m	
Alimentazione e potenza richiesta Power requirement Mittlere Anschlussleistung	E70/E71 - 1.5 KVA	AC 200-240V ±10%, 50/60Hz, 1 Phase, 1,5kVA (E70) / 3kVA (E71)	AC 200-220V ±10%, AC 380-480V ±10%, 50/60Hz, 3 Phase, 5-12kVA	E45 - 7.3 KVA E47 - 5.1 KVA	AC380-415V ±10%, 50/60Hz, 3 Phases, 4,9 kVA (FE40) / 9 kVA (E44)	
E40/E42/E44	AC380-415V ±10%, 50/60Hz, 3 Phases, 4,9 kVA (E40) / 9,9 kVA (E42) 11KVA (E44)					
Peso Mass Gewicht	E70/E71: 30 kg E40: 145 kg E42/E44: 180 kg E44: 195 kg		42/45 kg		170 kg	
Condizioni ambientali Ambient temperature Umgebungstemperatur	E70/E71: 0-45°C (horizontal) 0-40°C (vertically) E40/E42/E44: 0-45°C		0-45° C		0-45°C	
Umidità relativa Relative Humidity Relative Luftfeuchtigkeit	35-85% (no dew, nor frost allowed)		35-85% (no dew, nor frost allowed)		35-85% (no dew, nor frost allowed)	



VISION

VISION - BILDERARBEITUNG

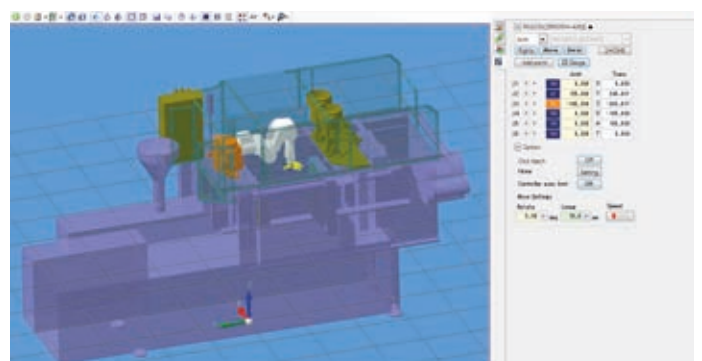
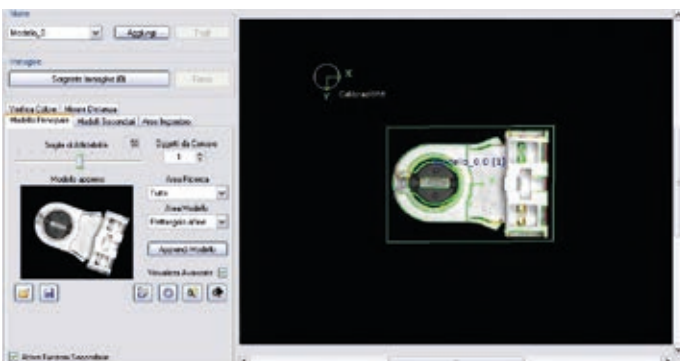
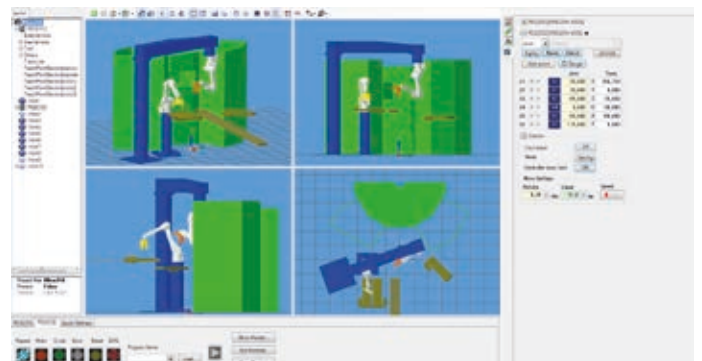
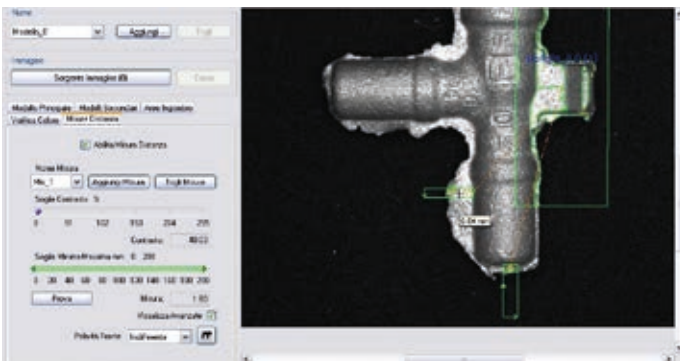
SIMULATORE

SIMULATOR



SOFTWARE TS VISION

SOFTWARE KROSET



ts **tiesse**
robot S.p.A.

 **Kawasaki**
Robotics

TIESSE ROBOT S.p.A.

via Isorella, 32 - 25010 Visano - Brescia - ITALIA

T +39 030 9958621 • **Fax** +39 030 9958677

www.tiesserobot.it

Mail tiesserobot@tiesserobot.it • sales@tiesserobot.it

